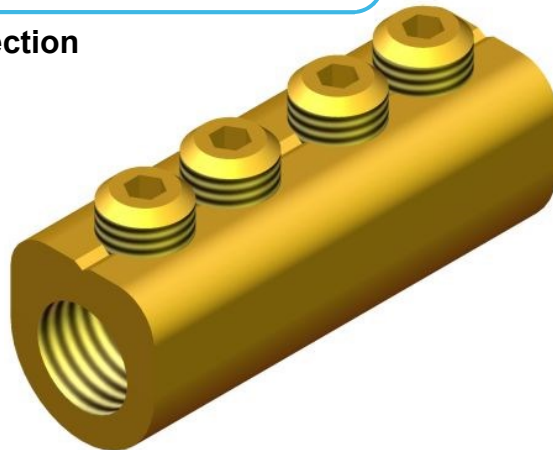


**MF4 Connectors - 'D' Section**



**Principle Application:**

Stranded and solid shaped service conductors.

**Range:**

Product Reference (Part Number)	Type	Core C.S.A. (mm <sup>2</sup> )	
		Min	Max
MF4/1 (51801-26)	Straight Through	6*	16
MF4/3 (2466-34)	Moisture Blocked		
MF4/2 (51801-27)	Straight Through	16	50
MF4/4 (51811-24)	Moisture Blocked		
MF4/9 (2466-343)	Straight Through	16	70
MF4/10 (51801-22)	Moisture Blocked		
MF4/11* (3942-020)	Straight Through	Single/Three Phase CNE Wires ≤ 35	
MF4/12	Straight Through	6*	16
MF4/13 (2466-274)	Straight Through	16	50
MF4/17	Moisture Blocked	25	70+
MF4/18	Moisture Blocked	16	70
MF4/19	Straight Through	6*	16
MF4/19XL (51803-08)	Straight Through	6*	16

Note: For jointing other core configurations/sizes please contact Sicame Engineering Dept

The **Sicame MF4** range of mechanical connectors are designed for straight connections on stranded or solid service cables. The ferrules are manufactured in brass for suitability of jointing either copper/aluminium, sector/circular shaped conductor cores.

**MF4 Connectors - 'D' Section**

**Secondary Application:**

Stranded and solid circular conductors.

**Range:**

Product Reference (Part Number)	Type	Maximum Core C.S.A. (mm <sup>2</sup> )	
		Solid	Stranded
MF4/1 (51801-26)	Straight Through	35	35
MF4/3 (2466-34)	Moisture Blocked		
MF4/2 (51801-27)	Straight Through	70	50
MF4/4 (51811-24)	Moisture Blocked		
MF4/9 (2466-343)	Straight Through	95	70
MF4/10 (51801-22)	Moisture Blocked		
MF4/11* (3942-020)	Straight Through	See overleaf	
MF4/12	Straight Through	35	35
MF4/13 (2466-274)	Straight Through	70	50
MF4/17	Moisture Blocked	95	70+
MF4/18	Moisture Blocked		
MF4/19	Straight Through	35	35
MF4/19XL (51803-08)	Straight Through	35	35

\* Note: Conductors below 6mm<sup>2</sup> should be

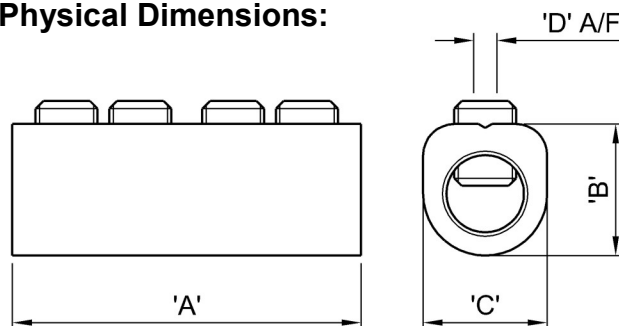
**Material:**  
Copper Alloy

**Test Specifications:**

BS4579 : Pt 1 : 1970, BS4579 : Pt 3 : 1976

1. Cut the service cables to length and strip the core insulation equal to half the length of connector + 3mm.
2. Thoroughly abrade all conductors to be jointed.
3. Align cores within connector and tighten screws on each side of the connector consecutively, until tight.

**Physical Dimensions:**



\* MF4/11 - 2 x Grub

Product Reference (Part Number)	Dimensions (mm)			
	'A'	'B'	'C'	'D'
MF4/1 (51801-26)	35.0	14.0	11.7	3.0
MF4/2 (51801-27)	45.0	17.0	16.0	3.0
MF4/3 (2466-34)	44.0	14.0	11.7	3.0
MF4/4 (51811-24)	55.0	17.0	16.0	3.0
MF4/9 (2466-343)	45.0	17.0	16.0	3.0
MF4/10 (51801-22)	55.0	17.0	16.0	3.0
MF4/11* (3942-020)	26.0	17.0	16.0	3.0
MF4/12	55.0	14.0	11.7	3.0
MF4/13 (2466-274)	55.0	17.0	16.0	3.0
MF4/17	55.0	19.0	18.0	3.0
MF4/18	55.0	19.0	18.0	3.0
MF4/19	84.0	14.0	11.7	3.0
MF4/19XL (51803-08)	110.0	14.0	11.7	3.0