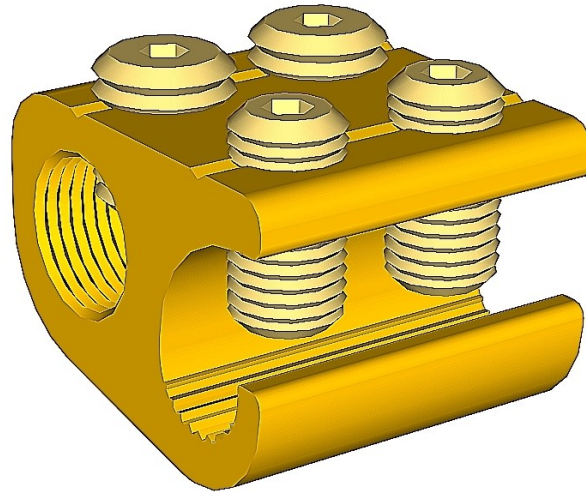


**MB22/1, MB22/2 & MB22/3
Connector**



Principle Application:

Circular stranded and solid conductor cores.

Range:

Product Reference	Type	Core c.s.a. (mm ²)					
		Through (Side Entry)		Branch			
				Stranded		Solid	
		Min	Max	Min	Max	Min	Max
MB22/1	Branch	4*	35	4*	25	4*	35
MB22/2				4*	50	4*	70
MB22/3				4*	70	4*	95

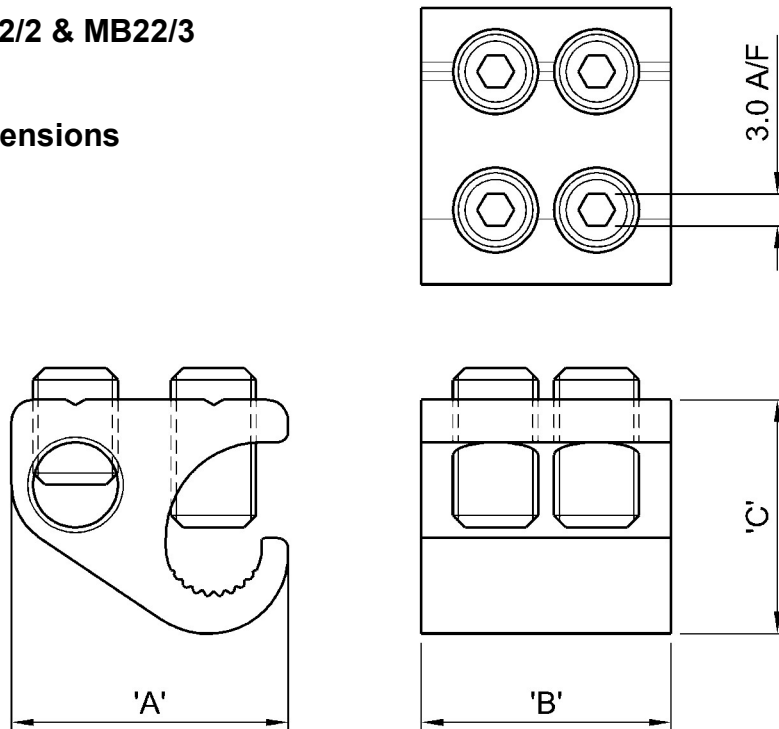
Note: For jointing other core configurations/sizes please contact Sicame Engineering Dept

The **Sicame 'MB22'** mechanical connector is designed for service branch connections on stranded or solid cable cores.

The connector is manufactured in copper alloy for suitability of jointing both copper and aluminium conductor cores.

**MB22/1, MB22/2 & MB22/3
Connector**

Physical Dimensions



Connector Reference	Dimensions (mm)		
	'A'	'B'	'C'
MB22/1	26.0	23.5	22.0
MB22/2	31.0	27.0	22.0
MB22/3	31.0	27.0	22.0

Material:

Copper Alloy

Test Specification:

Designed to meet the requirements of IEC1238-1

Fitting Instructions:

1. Cut the cables to length and strip the core insulation equal to the length of the connector +3mm.
2. Thoroughly abrade all conductors to be joined.
3. Align cores within connector and tighten screws on each side of the connector consecutively, until tight.

Note:

* Conductor cores 4mm² and below should be doubled, and if necessary doubled again, to achieve the necessary cross-sectional area.