

# Gel Filled Junction Box

## 'SICGEL' Joint Boxes



### Principle Characteristics:

- **Operating temperature:** - 20°C to + 90° c.
- **Voltage range:** 0.6/1kv.

### Compliant Specifications:

- Class II insulation to CE164-8.
- Secondary protection to CE170-1-IP68.

A range of gel filled polypropelene junction boxes complete with a 4 core cable spacer and tie wraps.

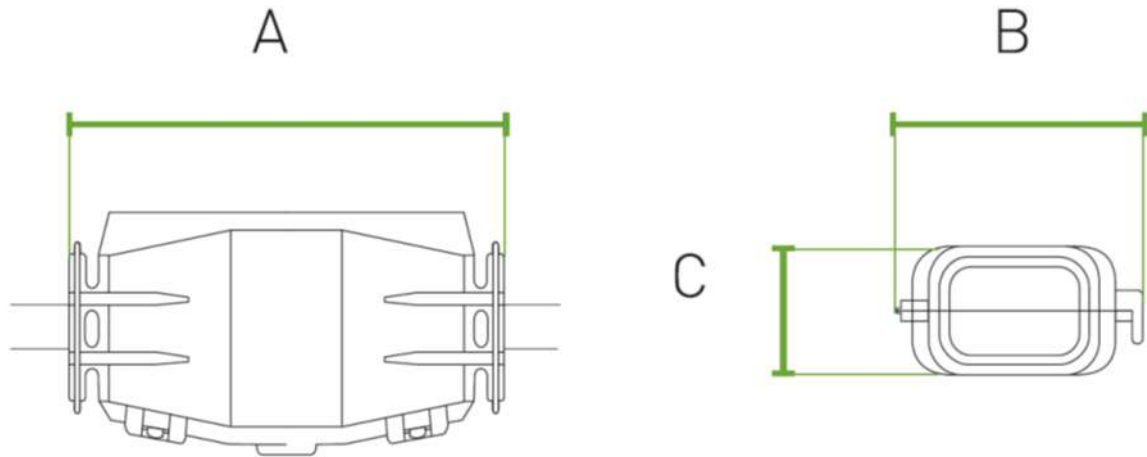
The junction boxes have a unique snap together mechanism ensuring that the hinged lid is firmly closed without the aid of additional fixings.

### Please Note:

Connectors are not supplied with the junction box.

# Gel Filled Junction Box

## 'SICGEL' Joint Boxes



Product Reference	Dimensions (mm)			Weight (grms)
	'A'	'B'	'C'	
SICGEL15	70	24	42	70
SICGEL30	100	30	49	98
SICGEL50	165	36	58	185
SICGEL100	220	50	90	352



©COPYRIGHT

Sicame UK Ltd operates a continuous product design development and improvement programme and offers active co-operation establishing satisfactory procedures and systems to meet new or unusual jointing situations. The company reserves the right to introduce modifications to the above designs and specifications without prior notice.

sicame  
UK