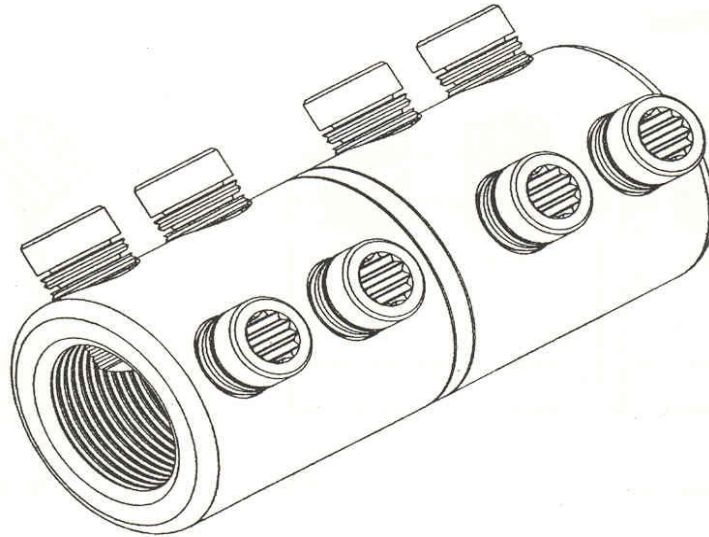


Straight-through
mechanical ferrule
with moisture /
contaminant block

MECHANICAL CONNECTORS

MF7 Connector



Principle Application

Straight jointing of solidal/stranded, aluminium/copper circular conductor cores.

Product Reference (Part Number)	Core c.s.a. (mm ²)	
	Min	Max
MF7 (51801-25)	480	740

Note: For jointing other core configurations/sizes please contact Sicame Engineering Dept

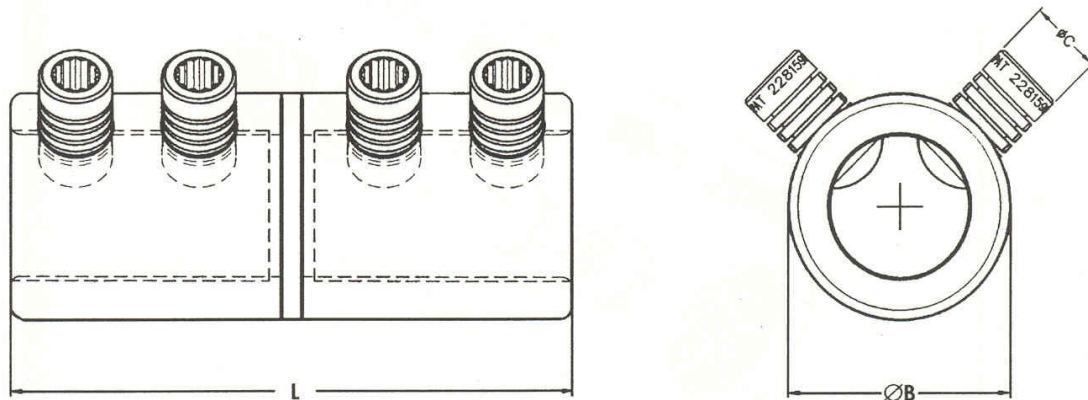
The **Sicame MF7** mechanical ferrule is manufactured from solid aluminium alloy bar, thereby providing an integral moisture/contaminant block. The ferrules also utilise the patented 'universal' range taking shear bolts.

Straight-through
mechanical ferrule with
moisture / contaminant
block

MECHANICAL CONNECTORS

MF7 Connector

Physical Dimensions



Product Reference (Part Number)	Dimensions (mm)		
	L	ØB	ØC
MF7 (51801-25)	137	54	18

Material

Aluminium Alloy

Fitting instructions

1. Strip insulation from each core equal to the depth of the bore guide + 5mm.
2. Thoroughly abrade exposed conductor cores. (See note)
3. Position the conductor cores within the connector ensuring they are fully located.
4. Fit the universal shear bolts and tighten consecutively one turn at a time until the bolts have sheared.

Note

When jointing copper conductor wrap the supplied brass gauze around the core prior to installation.

©COPYRIGHT

Sicame UK Ltd operates a continuous product design development and improvement programme and offers active co-operation establishing satisfactory procedures and systems to meet new or unusual jointing situations. The company reserves the right to introduce modifications to the above designs and specifications without prior notice.

sicame
UK

FEBRUARY 2020

2.01b